



ALL FOR SHOPS AND WAREHOUSES

D2000/D2500
D3000/D3500

Internal Combustion Forklift

Equipped with Xinchai Engine or Imported Engine

Advanced Ergonomical Design

mitsubishi, ISUZU, YANMAR, DETUZ

Double Suspended Structure

Large Capacity Radiator

Waived View Mast



	D2000	D2500	D3000	D3500
Rated Power (kW/rpm):	36.8/2650	36.8/2650	36.8/2650	36.8/2400
Rated Capacity (kg):	2000	2500	3000	3500
Power Type:	Diesel	Diesel	Diesel	Diesel
Engine Option:	MITSUBISHI	ISUZU	YANMAR	DEUTZ

D2000 / D2500 / D3000 / D3500

overall specifications

IDENTIFICATION	1.2	Model			D2000	D2500	D3000	D3500
	1.4	Power type (electric, diesel, petrol LPG)			Diesel	Diesel	Diesel	Diesel
	1.5	Type of operation hand pedestrian,standing, seated,order picker			Seated	Seated	Seated	Seated
	1.6	Load capacity/rated load		Kg	2000	2500	3000	3500
	1.7	Load center distance	J	mm	500	500	500	500
	1.8	Front overhang	L3	mm	448	448	487	498
	1.9	Rear overhang	L4	mm	500	500	550	580
	2.0	Wheelbase	L2	mm	1650	1650	1750	1750
WEIGHTS	2.1	Dead weigh		kg	3260	3500	4200	4635
	2.2	Axle loading,loaded front/rear		kg	\	\	\	\
	2.3	Axle loading,unloaded front/rear		kg	\	\	\	\
WHEELS, CHASSIS	3.1	Tires:pneumatic,solid rubber			pneumatic	pneumatic	pneumatic	pneumatic
	3.2	Tires size, front			7.00-12-12PR	7.00-12-12PR	28X9-15-14PR	28X9-15-14PR
	3.3	Tires size, rear			6.00-9-10PR	6.00-9-10PR	6.50-10-10PR	6.50-10-10PR
	3.4	Wheels,number front / rear(X=driven weels)			X=2/2	X=2/2	X=2/2	X=2/2
	3.5	Track width,front	S	mm	970	970	1030	1030
	3.6	Track width,rear	P	mm	980	980	980	980
BASIC DIMENSIONS	4.11	Mast/fork carriage tilt forward backward	α/β	degrees	6/12	6/12	6/12	6/12
	4.12	Lowered mast height	h2	mm	2135	2135	2132	2180
	4.13	Free lift height	h3	mm	110	110	125	170
	4.14	STD Max lift height	h1	mm	3000	3000	3000	3000
	4.15	Overhead guard height	h4	mm	2130	2130	2150	2150
	4.16	Distance from seat to overhead guard	SIP	mm	1000	1000	>= 910	1000
	4.17	Overall length	L1	mm	3670	3670	3850	3898
	4.18	Length to face of forks	L6	mm	2598	2598	2787	2828
	4.19	Overall width	W1	mm	1165	1165	1250	1250
	4.2	Fork dimensions(hook type)	L5xWxT	mm	1070x120x40	1070x120x40	1070x125x45	1070x125x45
	4.21	Fork carriage ISO 2328, class / type A,B			2/A	2/A	3/A	3/A
	4.22	Fork-carriage width		mm	1040	1040	1100	1100
	4.23	Ground clearance, under mast	m2	mm	135	135	132	132
	4.24	Ground clearance, centre of wheelbase	m1	mm	160	160	165	165
4.25	Aisle width for pallets 1,000x1,000 crossways (LxW)	AST	mm	3950	3950	4200	4225	
4.26	Aisle width for pallets 800x1,200 lenghtways (WxL)	AST	mm	\	\	\	\	
4.27	Turning radius	R1	mm	2300	2300	2620	2530	
OTHER PERFORMANCE DATA	5.1	Max.traveling speed, unloaded		km/h	20	20	20	20
	5.2	Max.lifting speed, loaded/unloaded		mm/s	560/580	560/580	500/520	400/420
	5.3	Lowering speed, loaded/unloaded		mm/s	600	600	600	600
	5.7	Max gradient		%	20	20	20	20
	5.9	Service brake			Hydraulic	Hydraulic	Hydraulic	Hydraulic
5.10	Parking brake			Hand	Hand	Hand	Hand	
DETAILS	7.1	Operating pressure		Mpa	19.5	19.5	19.5	19.5
	7.2	Fuel tank capacity		L	50	55	60	60
	7.4	Type of drive					Automatic	

Optional Engine (for 2t&2.5t)

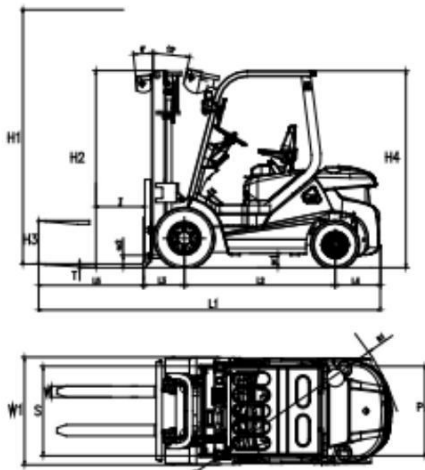
Engine Model	Manufacturer	Rated Power kw/rpm	Max. Torque Nm/rpm	Bore/Number of Cylinders/Displacement mm/L	Fuel Consumption g/KW h
C490(e3)	China	36.8/2650	156/1800	90/4/2.67	230
A498BT1	China	36.8/2600	180/1800	98/4/3.17	230
C240	ISUZU	34/2500	137/1800	86/4/2.369	292

D2000 / D2500 / D3000 / D3500

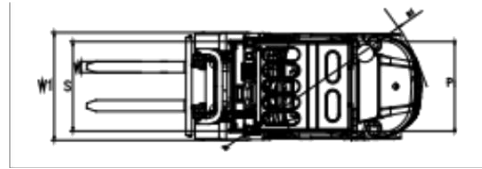
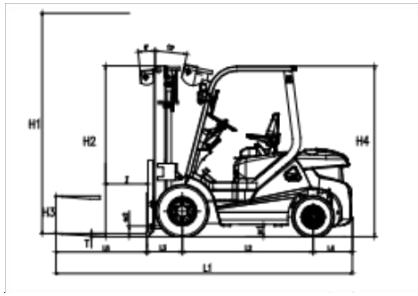
mast specifications

ITEM	Lift height	D2000				D2500				D3000				D3500				F/R(*)
		h1 (mm)	c (kg)	h2 (mm)	h3 (mm)	h5 (mm)	c (kg)	h2 (mm)	h3 (mm)	h5 (mm)	c (kg)	h2 (mm)	h3 (mm)	h5 (mm)	c (kg)	h2 (mm)	h3 (mm)	
2 STAGE STANDARD MAST	2000	2000	1635	110	110	2500	1635	110	110	3000	1632	125	125	3500	1680	170	170	6/12
	2500	2000	1885	110	110	2500	1885	110	110	3000	1882	125	125	3500	1930	170	170	6/12
	3000	2000	2135	110	110	2500	2135	110	110	3000	2132	125	125	3500	2180	170	170	6/12
	3300	2000	2285	110	110	2500	2285	110	110	3000	2282	125	125	3500	2330	170	170	6/12
	3500	2000	2385	110	110	2500	2385	110	110	3000	2382	125	125	3500	2430	170	170	6/12
	3700	\	\	\	\	\	\	\	\	\	\	\	\	3500	2530	170	170	6/12
	3750	2000	2510	110	110	2500	2510	110	110	3000	2507	125	125	\	\	\	\	6/6
	4000	2000	2685	110	110	2500	2685	110	110	3000	2682	125	125	3300*3500	2730	170	170	6/6
	4250	1900	2810	110	110	2300	2810	110	110	2850*3000	2807	125	125	3200*3500	2855	170	170	6/6
	4500	1800	2935	110	110	2100	2935	110	110	2600*2800	2932	125	125	2900*3100	2980	170	170	6/6
	5000	1100	3185	110	110	1600	3185	110	110	2100*2400	3182	125	125	2400*2750	3230	170	170	6/6
	5500*	900	3485	110	110	1200	3485	110	110	1700*2200	3482	125	125	1800*2400	3530	170	170	6(3)/6
6000*	700	3735	110	110	900	3735	110	110	1300*2000	3732	125	125	1400*2200	3780	170	170	6(3)/6	
2 STAGE FREE MAST	2000	2000	1635	950	660	2500	1635	950	660	3000	1632	1044	350	3500	1680	965	655	6/12
	2500	2000	1885	1200	910	2500	1880	1200	910	3000	1882	1294	600	3500	1930	1215	905	6/12
	2700	\	\	\	\	\	\	\	\	\	\	\	\	3500	2030	1315	1005	6/12
	2750	2000	2010	1325	1035	2500	2010	1325	1035	3000	\	\	\	\	\	\	\	6/12
	3000	2000	2135	1450	1160	2500	2135	1450	1160	3000	2132	1544	850	3500	2180	1465	1115	6/12
	3300	2000	2285	1600	1310	2500	2285	1600	1310	3000	2282	1694	1000	3500	2330	1615	1305	6/12
	3500	2000	2385	1700	1410	2500	2385	1700	1410	3000	2382	1794	1100	3500	2430	1715	1405	6/12
	3750	1950	2510	1825	1535	2400	2510	1825	1535	3000	2507	1919	1225	\	\	\	\	6/12
	4000	1850	2685	2000	1710	2000	2685	2000	1710	3000	2682	2094	1400	3300*3500	2730	2015	1705	6/6
	4500	1650	2935	2250	1960	1700	2935	2250	1960	3000	2932	2344	1650	2900*3100	2980	2265	1955	6/6
3 STAGE FREE MAST	4000	1900	2010	1208	1008	2300	2010	1208	1008	2800*2900	1952	1379	715	3300*3300	1987	1280	755	6/6
	4350	1850	2135	1334	1133	2200	2135	1334	1133	2700*2900	2077	1504	840	3100*3300	2112	1405	880	6/6
	4500	1750	2198	1372	1196	2000	2198	1372	1196	2500*2800	2140	1567	903	2800*3000	2175	1470	945	6/6
	4700	1720	2263	1461	1261	1800	2263	1461	1261	2350*2550	2205	1632	968	2600*2800	2240	1535	1010	6/6
	4800	1700	2285	1484	1283	1700	2285	1484	1283	2250*2450	2227	1654	990	2500*2750	2262	1555	1030	6/6
	5000	1600	2385	1584	1383	1500	2385	1584	1383	2100*2300	2327	1754	1090	2300*2600	2362	1655	1130	6/6
	5400	1450	2510	1708	1508	1200	2510	1708	1508	1650*2100	2452	1879	1215	1800*2300	2487	1780	1255	3/6
	5500	\	\	\	\	\	\	\	\	1500*2000	2492	1919	1255	1700*2200	2527	1820	1295	3/6
	6000	950	2735	1934	1733	800	2735	1934	1733	1200*1800	2677	2104	1440	1300*2000	2712	2005	1480	3/6
6500*	500	2950	2149	1948	600	2950	2149	1948	900*1500	2892	2319	1655	1000*1600	2927	2220	1695	3/3	

h1=Max. Lift Height; c=Load Capacity; h2=Lowered Mast Height; h3=Free Lift Height (without backrest);
h4=Overhead guard height; h5=Free Lift Height (with backrest);
F/R=Tilting Angle F/R;h1* means machine with this kind of mast must choose double front tires;
And the digital after * in this table shows the load capacity of machine with double front tires optional.



D2000 / D2500 / D3000 / D3500



MODEL	D2000	D2500	D3000	D3500
Power type	Diesel	Diesel	Diesel	Diesel
Rated capacity (kg)	2000	2500	3000	3500
J Load center (mm)	500	500	500	500
H1 STD Max lifting height (mm)	3000	3000	3000	3000
H3 Free lifting height (mm)	110	110	125	170
L5*W*T STD Fork size (mm)	1070 x 120 x 40	1070 x 120 x 40	1070 x 125 x 45	1070 X 125 X 50
Mast tilt angle (deg)	6/12	6/12	6/12	6/12
L3 Front overhang (mm)	448	448	487	498
L4 Rear overhang (mm)	500	500	550	580
Overall dimension				
L1 Overall length (with fork) (mm)	3670	3670	3857	3898
W1 Overall width (mm)	1165	1165	1250	1250
H2 STD Mast lowered height (mm)	2135	2135	2132	2132
H4 Overhead guard height (mm)	2130	2130	2150	2150
R1 Min.turning radius (mm)	2300	2300	2520	2530
Min. intersecting aisle (mm)	3950	3950	4200	4225
Performance Data				
Max. traveling speed (km/h) load/unload	18,5/20	18,5/20	18,5/20	18,5/20
Max.lifting speed (mm/s) load/unload	560/580	560/580	500/520	400/420
Max. gradient (%)	20	20	20	20
Self weight (kg)	3260	3500	4200	4635
S/P Tread (front/rear) (mm)	970/980	970/980	1030/980	1030/980
L2 Axle distance (mm)	1650	1650	1750	1750
Min ground clearance	M2 Mast (mm)	135	135	132
	M1 Frame (mm)	160	160	165
STD Engine	XINCHAI C490BPG	XINCHAI C490BPG	XINCHAI C490BPG	XINCHAI C490BPG
Rated power (kw)	36,8	36,8	36,8	36,8



ALL FOR SHOPS AND WAREHOUSES

LATVIA

SIA "Viss Veikaliem un Noliktavām"

41A - 224 Kandavas street, Rīga, LV-1083

Phone: +371 27727449 (latvian, english),

+371 22074120 (latvian, russian, english),

+371 20330002 (latvian, russian, english)

E-mail: info@vvn.lv

www.vvn.lv

LITHUANIA

Phone: +370 70066080

E-mail: info@vvnlt.lt

www.vvnlt.lt

NORWAY

Phone: +47 21955868

E-mail: info@vvnngroup.no

www.vvnngroup.no

ESTONIA

Phone: +372 6346332,

+372 6346342

E-mail: info@vvn.ee

www.vvn.ee

DENMARK

E-mail: info@vvnngroup.dk

www.vvnngroup.dk

FINLAND

Phone: +358 753263323

E-mail: info@vvn.fi

www.vvn.fi

RUSSIA

Phone: +7 84996092515

E-mail: info@vvnngroup.ru

www.vvnngroup.ru

SWEDEN

Phone: +46 107502388

E-mail: info@vvnngroup.se

www.vvnngroup.se

BELARUS

Phone: +375 84996092515

E-mail: info@vvnngroup.by

www.vvnngroup.by