



ALL FOR SHOPS AND WAREHOUSES

VVN

## Skid steer loaders

High performance power train  
Comfortable operator station  
Advanced hydraulic system  
More work tools



Models described in the catalog:

VVN SSL 27

VVN SSL2 27

VVN SSL 30

VVN SSL2 30

VVN SSL 31

VVN SSL 37

VVN SSL2 37

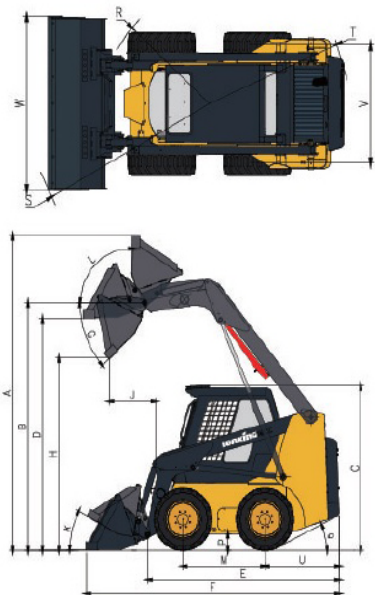
VVN SSL3 37

# VVN SSL 27 / VVN SSL2 27

## overall specifications

### DIMENSIONS

All Dimensions are Approximate. Dimensions May Vary with Bucket. Refer to Operating Specifications.



NO.	SPECIFICATION	UNIT	I	II
A	Max.Operation Height	mm	3850	3850
B	Bucket Pin Height	mm	2920	2920
C	Cab Roof Height	mm	2000	2000
D	Max.Height at Bucket Leveled	mm	2730	2730
E	Length without Attachment	mm	2420	2420
F	Length with Standard Bucket	mm	3320	3320
H	Dumping Height	mm	2180	2180
J	Reach Rollback	mm	790	790
M	Wheelbase	mm	1050	1050
P	Ground Clearance	mm	210	210
R	Front Turning Radius without Attachment	mm	1200	1200
S	Front Turning Radius	mm	2060	2060
T	Rear Turning Radius	mm	1520	1520
U	Tail Length	mm	960	960
V	Center Distance between Two Wheels	mm	1240	1240
W	Bucket Width	mm	1530	1530
G	Dumping Angle at Max.Height	°	39	39
K	Bucket Angle on Ground	°	28	28
L	Bucket Rollback Angle at Max.Height	°	94	94
Q	Start Angle	°	27	27

### MAIN SPECIFICATION

Engine Model		KUBOTA V2403-M-T-E3B	XINCHAI A498BT1-75
Emission Standard		EuroIII A	EuroIII A
Rated Power	kW/rpm	42/2600	36.8/2500
Operating Weight	kg	2700	2800
Rated Payload	kg	752	760
Bucket Capacity	m³	0.43	0.43
L×W×H	mm	3320×1530×2000	3320×1530×2000

### ENGINE SYSTEM

Engine Model		KUBOTA V2403-M-T-E3B	XINCHAI A498BT1-75
Rated Power	kW/hp/rpm	42/56/2600	36.8/50/2500
Displacement	L	2.434	3.168
Stroke	mm	87	98
Bore	mm	102.4	105

### WEIGHTS

Operating Weight	kg	2700	2800
------------------	----	------	------

### POWER TRAIN

Travel Speed -F&R	km/h	11.5	11.5
-------------------	------	------	------

### TIRE

Tyre		10×16.5	10×16.5
------	--	---------	---------

### HYDRAULIC SYSTEM

Hydraulic Flow – Standard	L/min/rpm	74	74
Loader Hydraulic Pressure	MPa	21	21
Hydraulic Flow – High Flow	L/min/rpm	110	–
Loader Hydraulic Pressure	MPa	19	–

### OPERATING SPECIFICATIONS

Rated Payload	kg	752	760
Tipping Load	kN	1504	1520
Breakout Force	kN	18.9	18.9
Traction Force	kN	20.3	20.3

### SERVICE REFILL CAPACITIES

Chain Box, Each Side	L	9	9
Cooling System	L	12	12
Engine Crankcase	L	8	8
Fuel Tank	L	83	83
Hydraulic Tank	L	65	65



ALL FOR SHOPS AND WAREHOUSES

#### LATVIA

SIA "Viss Veikaliem un Noliktavām"  
41A - 224 Kan davas street, Rīga, LV-10 83  
Phone: +371 27727449 ( latvian, english),  
+371 22074120 (l atvian, russian, english),  
+371 20330002 (latvian, russian, english)  
E-mail: info@vvn.lv

www.vvn.lv

#### LITHUANIA

Phone: +370 70066080  
E-mail: info@vvn.lt  
www.vvn.lt

#### NORWAY

Phone: +47 219558 68  
E-mail: info@vvn.no  
www.vvn.no

#### ESTONIA

Phone: +372 634633 2,  
+372 63463 42  
E-mail: info@vvn.ee  
www.vvn.ee

#### DENMARK

E-mail: info@vvn.dk  
www.vvn.dk

#### FINLAND

Phone: +358 7532633 23  
E-mail: info@vvn.fi  
www.vvn.fi

#### RUSSIA

Phone: +7 849960925 1 5  
E-mail: info@vvn.ru  
www.vvn.ru

#### SWEDEN

Phone: +46 107502388  
E-mail: info@vvn.se  
www.vvn.se

#### BELARUS

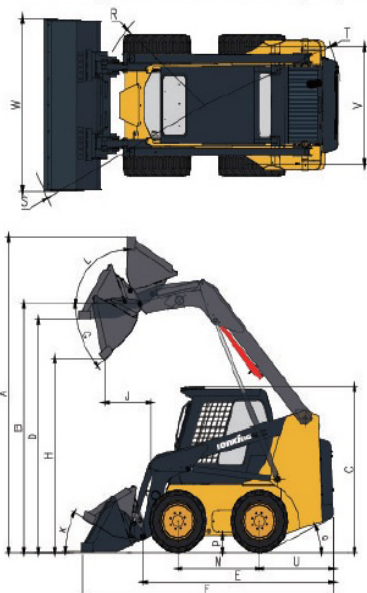
Phone: +375 849960925 1 5  
E-mail: info@vvn.by  
www.vvn.by

# VVN SSL 30 / VVN SSL2 30 / VVN SSL 31

## overall specifications

### DIMENSIONS

All Dimensions are Approximate. Dimensions May Vary with Bucket. Refer to Operating Specifications.



NO.	SPECIFICATION	UNIT	I & II	III
A	Max.Operation Height	mm	3750	3850
B	Bucket Pin Height	mm	2920	3050
C	Cab Roof Height	mm	2000	2000
D	Max.Height at Bucket Leveled	mm	2730	2850
E	Length without Attachment	mm	2420	2530
F	Length with Standard Bucket	mm	3220	3350
H	Dumping Height	mm	2260	2360
J	Reach Rollback	mm	640	610
M	Wheelbase	mm	1050	1080
P	Ground Clearance	mm	210	210
R	Front Turning Radius without Attachment	mm	1200	1180
S	Front Turning Radius	mm	2010	2050
T	Rear Turning Radius	mm	1520	1580
U	Tail Length	mm	960	980
V	Center Distance between Two Wheels	mm	1240	1280
W	Bucket Width	mm	1820	1820
G	Dumping Angle at Max.Height	°	40	40
K	Bucket Angle on Ground	°	28	29
L	Bucket Rollback Angle at Max.Height	°	94	96
Q	Start Angle	°	27	27

### MAIN SPECIFICATION

	PERKINS 404D-22T	XINCHAI A498BG-510	KUBOTA V3600-E3B
Engine Model	PERKINS 404D-22T	XINCHAI A498BG-510	KUBOTA V3600-E3B
Emission Standard	EuroIIIA	Nation II	EuroIIIA
Rated Power	44.7/2800	45/2500	50/2600
Operating Weight	3000	3000	3100
Rated Payload	810	810	860
Bucket Capacity	0.48	0.48	0.48
L×W×H	3220×1820×2000	3220×1820×2000	3350×1820×2000

### ENGINE SYSTEM

	PERKINS 404D-22T	XINCHAI A498BG-510	KUBOTA V3600-E3B
Engine Model	PERKINS 404D-22T	XINCHAI A498BG-510	KUBOTA V3600-E3B
Rated Power	44.7/61/2800	45/61/2500	50/68/2600
Displacement	L	3.17	3.62
Stroke	mm	98	98
Bore	mm	105	120

### WEIGHTS

Operating Weight	kg	3000	3000	3100
------------------	----	------	------	------

### POWER TRAIN

Travel Speed -F&R	km/h	11.5	11.5	11.5
-------------------	------	------	------	------

### TIRE

Tyre		10×16.5	10×16.5	10×16.5
------	--	---------	---------	---------

### HYDRAULIC SYSTEM

Hydraulic Flow – Standard	L/min/rpm	74	74	91
Loader Hydraulic Pressure	MPa	21	21	21
Hydraulic Flow – High Flow	L/min/rpm	110	–	128
Loader Hydraulic Pressure	MPa	19	19	19

### OPERATING SPECIFICATIONS

Rated Payload	kg	810	810	860
Tipping Load	kN	1620	1600	1722
Breakout Force	kN	18.9	18.9	21.7
Traction Force	kN	20.3	20.3	24.27

### SERVICE REFILL CAPACITIES

Chain Box, Each Side	L	9	9	9
Cooling System	L	12	12	12
Engine Crankcase	L	8	8	9
Fuel Tank	L	83	83	88
Hydraulic Tank	L	65	65	65



ALL FOR SHOPS AND WAREHOUSES

#### LATVIA

SIA "Viss Veikaliem un Noliktavām"  
41A - 224 Kan davas street, Rīga, LV-10 83  
Phone: +371 27727449 ( latvian, english),  
+371 22074120 (l atvian, russian, english),  
+371 20330002 (latvian, russian, english)  
E-mail: info@vvn.lv

www.vvn.lv

#### LITHUANIA

Phone: +370 70066080  
E-mail: info@vvn.lt  
www.vvn.lt

#### NORWAY

Phone: +47 219558 68  
E-mail: info@vvn.no  
www.vvn.no

#### ESTONIA

Phone: +372 634633 2,  
+372 63463 42  
E-mail: info@vvn.ee  
www.vvn.ee

#### DENMARK

E-mail: info@vvn.dk  
www.vvn.dk

#### FINLAND

Phone: +358 7532633 23  
E-mail: info@vvn.fi  
www.vvn.fi

#### RUSSIA

Phone: +7 849960925 1 5  
E-mail: info@vvn.ru  
www.vvn.ru

#### SWEDEN

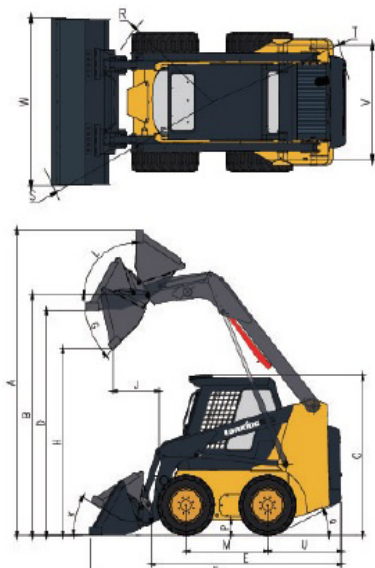
Phone: +46 107502388  
E-mail: info@vvn.se  
www.vvn.se

#### BELARUS

Phone: +375 849960925 1 5  
E-mail: info@vvn.by  
www.vvn.by

# VVN SSL 37 / VVN SSL2 37 / VVN SSL3 37

## overall specifications



NO.	SPECIFICATION	UNIT	VVN SSL 37
A	Max Operation Height	mm	3880
B	Bucket Pin Height	mm	3060
C	Cab Roof Height	mm	2020
D	Max Height at Bucket Levelled	mm	2870
E	Length without Attachment	mm	2530
F	Length with Standard Bucket	mm	3460
H	Dumping Height	mm	2440
J	Reach Rollback	mm	610
M	Wheelbase	mm	1080
P	Ground Clearance	mm	180
R	Front Turning Radius without Attachment	mm	1180
S	Front Turning Radius	mm	2050
T	Rear Turning Radius	mm	1580
U	Tail Length	mm	980
V	Center Distance between Two Wheels	mm	1320
W	Bucket Width	mm	1820
G	Dumping Angle at Max.Height	°	40
K	Bucket Angle on Ground	°	29
L	Bucket Rollback Angle at Max.Height	°	96
O	Start Angle	°	28

MACHINE MODEL	UNIT	I	II	III
<b>MAIN SPECIFICATION</b>				
Engine Model		KUBOTA V3600-T-E3B	XINCHAI A498BZG	KUBOTA V3600-T-E3B
Emission Standard		EuroIIIA	Nation II	EuroIIIA
Rated Power	kW/rpm	63/2600	55/2500	63/2600
Operating Weight	kg	3700	3700	3700
Rated Payload	kg	1230	1230	1230
Bucket Capacity	m³	0.54	0.54	0.54
L×W×H	mm	3460×1820×2020	3460×1820×2020	3460×1820×2020
<b>ENGINE SYSTEM</b>				
Engine Model		KUBOTA V3600-T-E3B	XINCHAI A498BZG	KUBOTA V3600-T-E3B
Rated Power	kW/hp/rpm	63/86/2600	55/75/2500	63/86/2600
Displacement	L	3.62	3.168	3.62
Stroke	mm	98	98	98
Bore	mm	120	105	120
<b>WEIGHTS</b>				
Operating Weight	kg	3700	3700	3700
<b>POWER TRAIN</b>				
Travel Speed -F&R	km/h	11.8	11.8	11.8
<b>TIRE</b>				
Tyre		12×16.5	12×16.5	12×16.5
<b>HYDRAULIC SYSTEM</b>				
		Mechanical Servo	Mechanical Servo	Pilot Control
Hydraulic Flow – Standard	L/min/rpm	91	91	91
Loader Hydraulic Pressure	MPa	21	21	21
Hydraulic Flow – High Flow	L/min/rpm	135	135	135
Loader Hydraulic Pressure	MPa	19	19	19
<b>OPERATING SPECIFICATIONS</b>				
Rated Payload	kg	1230	1230	1230
Tipping Load	kN	2460	2460	2460
Breakout Force	kN	25.9	25.9	25.9
Traction Force	kN	28.06	28.06	28.06
<b>SERVICE REFILL CAPACITIES</b>				
Chain Box, Each Side	L	9	9	9
Cooling System	L	12	12	12
Engine Crankcase	L	9	9	9
Fuel Tank	L	91	91	91
Hydraulic Tank	L	65	65	65



ALL FOR SHOPS AND WAREHOUSES

### LATVIA

SIA "Viss Veikaliem un Noliktavām"  
41A - 224 Kan davas street, Rīga, LV-10 83  
Phone: +371 27727449 ( latvian, english),  
+371 22074120 (l atvian, russian, english),  
+371 20330002 (latvian, russian, english)  
E-mail: info@vvn.lv

www.vvn.lv

### LITHUANIA

Phone: +370 70066080  
E-mail: info@vvn.lt  
www.vvn.lt

### NORWAY

Phone: +47 219558 68  
E-mail: info@vvn.no  
www.vvn.no

### ESTONIA

Phone: +372 634633 2,  
+372 63463 42  
E-mail: info@vvn.ee  
www.vvn.ee

### DENMARK

E-mail: info@vvn.dk  
www.vvn.dk

### FINLAND

Phone: +358 7532633 23  
E-mail: info@vvn.fi  
www.vvn.fi

### RUSSIA

Phone: +7 849960925 1 5  
E-mail: info@vvn.ru  
www.vvn.ru

### SWEDEN

Phone: +46 107502388  
E-mail: info@vvn.se  
www.vvn.se

### BELARUS

Phone: +375 849960925 1 5  
E-mail: info@vvn.by  
www.vvn.by