

VVN

Hydraulic excavators

Easymaintenance & outstanding after-sales services
Complete line of applications and accessories
Roll over protection system



Models described in the catalog:

VVN HE 60 / VVN HE2 60

VVN HE 86 / VVN HE2 86

VVN HE 140 / HE2 140

VVN HE 212

VVN HE 218

VVN HE 220

VVN HE 221

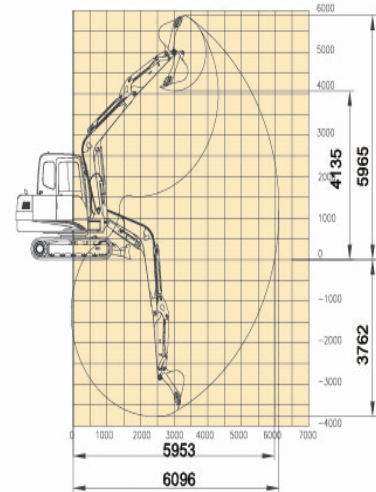
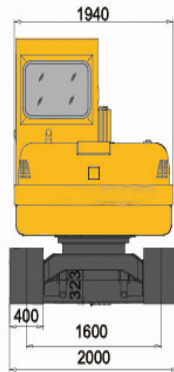
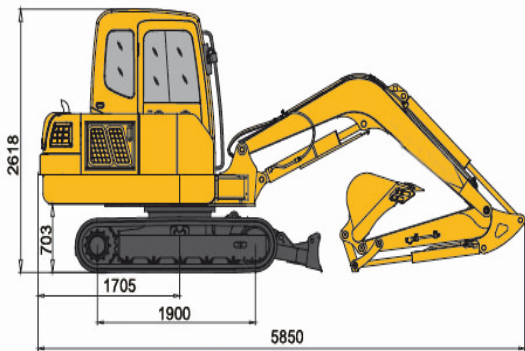
VVN HE 340

VVN HE 343

VVN HE 482

VVN HE 60 / VVN HE2 60

overall specifications



Operating Weight	Summary	Operating weight: 6050kg The operating weight includes the weight of 3000mm boom, 1550mm standard arm, 0.25m³ bucket, 400mm track shoes, lubricating oil, coolant, the full diesel oil tank and the rest standard configuration units.	
	Ground pressure	32 kPa	
Bucket Capacity	Standard	0.25 m³	
	Option range	0.1-0.33 m³	
Engine	Model	Yanmar 4TNV94L-PLK (Euro II)	Yanmar 4TNV98-ZSLK (Euro IIIA)
	Rated power	43.3 kW(58.8 hp) /2400 rpm	46.3 kW(58.6 hp) /2200 rpm
	Max. torque	202 N.m/1200 rpm	250 N.m/1200 rpm
	Displacement	3.054 L	3.319 L
Hydraulic System	Main pump	Axial variable piston pump	
	Max. flow of system	146 L/min	156.2 L/min
	Max.pressure of Implements	24.5 MPa	
	Max. pilot pressure	3.7 MPa	
	Swing motor	Piston Type (with safety valve and closed type brake)	
	Swing speed	11 rpm	
	Travel motor	Piston Type (with safety valve and closed type brake)	
	Travel speed	2.5/5.0 km/h	
	Gradeability	35°(70%)	
	Max. traction	58.3 kN	
	Max. arm digging force	28 kN	
Max. bucket digging force	40 kN		
Fluid Capacity	Fuel tank	134 L	95 L
	Hydraulic oil tank	115 L	
Undercarriage	Standard track shoes width	400 mm	
	No. of track shoes	39 (each side)	
	No. of carrier rollers	1 (each side)	
	No. of track rollers	5 (each side)	
Electrical System	System voltage	24 V	
	Battery capacity	12 V, 85 Ah	
Optional Equipments		500mm and 600mm triple grouser shoes Hydraulic hammer and pipeline Two-way auxiliary pipeline Track rubber block	



ALL FOR SHOPS AND WAREHOUSES

LATVIA

SIA "Viss Veikaliem un Noliktavām"
41A - 224 Kan davas street, Rīga, LV-10 83
Phone: +371 27727449 (latvian, english),
+371 22074120 (l atvian, russian, english),
+371 20330002 (latvian, russian, english)
E-mail: info@vvn.lv

www.vvn.lv

LITHUANIA

Phone: +370 70066080
E-mail: info@vvn.lt
www.vvn.lt

NORWAY

Phone: +47 219558 68
E-mail: info@vvn.no
www.vvn.no

ESTONIA

Phone: +372 634633 2,
+372 63463 42
E-mail: info@vvn.ee
www.vvn.ee

DENMARK

E-mail: info@vvn.dk
www.vvn.dk

FINLAND

Phone: +358 7532633 23
E-mail: info@vvn.fi
www.vvn.fi

RUSSIA

Phone: +7 849960925 1 5
E-mail: info@vvn.ru
www.vvn.ru

SWEDEN

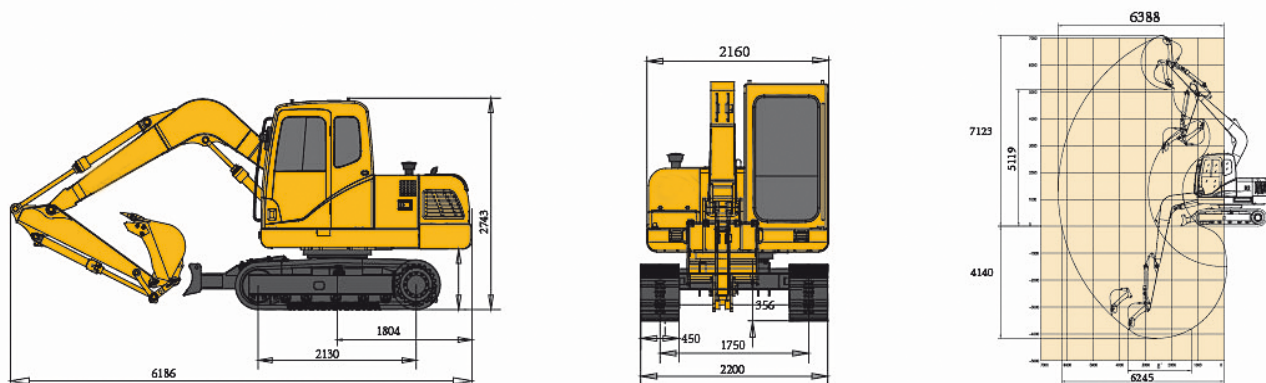
Phone: +46 107502388
E-mail: info@vvn.se
www.vvn.se

BELARUS

Phone: +375 849960925 1 5
E-mail: info@vvn.by
www.vvn.by

VVN HE 86 / VVN HE2 86

overall specifications



Operating Weight	Summary	Operating weight: 8600kg The operating weight includes the weight of 3720mm boom, 1665mm standard arm, 0.36m³ bucket, 450mm track shoes, lubricating oil, coolant, the full diesel oil tank and the rest standard configuration units.	
	Ground pressure	37 kPa	
Bucket Capacity	Standard	0.36 m³	
	Option range	0.1-0.42 m³	
Engine	Model	Yanmar 4TNV98T-SFN (Euro II)	Yanmar 4TNV98T-ZSLK (Euro IIIA)
	Rated power	57.7 kW (78.5 hp) /2200 rpm	54.1 kW (73.8 hp) /2200 rpm
	Max. torque	312 N.m/1500 rpm	312 N.m/1500 rpm
	Displacement	3.319 L	3.319 L
Hydraulic System	Main pump	Axial variable piston pump	
	Max. flow of system	74.8×2 L/min	
	Max.pressure of Implements	27.4 MPa	
	Max. pilot pressure	3.7 MPa	
	Swing motor	Piston Type (with safety valve and closed type brake)	
	Swing speed	11.69 rpm	
	Travel motor	Piston Type (with safety valve and closed type brake)	
	Travel speed	2.8/4.5 km/h	
	Gradeability	35°(70%)	
	Max. traction	75.2 kN	
	Max. arm digging force	38 kN	
Fluid Capacity	Max. bucket digging force	56 kN	
	Fuel tank	146 L	
Undercarriage	Hydraulic oil tank	120 L	
	Standard track shoes width	450 mm	
	No. of track shoes	38 (each side)	
	No. of carrier rollers	1 (each side)	
Electrical System	No. of track rollers	5 (each side)	
	System voltage	24 V	
	Battery capacity	12 V, 100 Ah	
Optional Equipments	500mm width triple grouser shoes Hydraulic hammer and pipeline Quick-change coupler pipeline Bidirectional auxiliary pipeline	Cab protecting nets Track rubber block	



ALL FOR SHOPS AND WAREHOUSES

LATVIA

SIA "Viss Veikaliem un Noliktavām"
41A - 224 Kan davas street, Rīga, LV-10 83
Phone: +371 27727449 (latvian, english),
+371 22074120 (l atvian, russian, english),
+371 20330002 (latvian, russian, english)
E-mail: info@vvn.lv

www.vvn.lv

LITHUANIA

Phone: +370 70066080
E-mail: info@vvn.lt
www.vvn.lt

NORWAY

Phone: +47 219558 68
E-mail: info@vvn.no
www.vvn.no

ESTONIA

Phone: +372 634633 2,
+372 63463 42
E-mail: info@vvn.ee
www.vvn.ee

DENMARK

E-mail: info@vvn.dk
www.vvn.dk

FINLAND

Phone: +358 7532633 23
E-mail: info@vvn.fi
www.vvn.fi

RUSSIA

Phone: +7 849960925 1 5
E-mail: info@vvn.ru
www.vvn.ru

SWEDEN

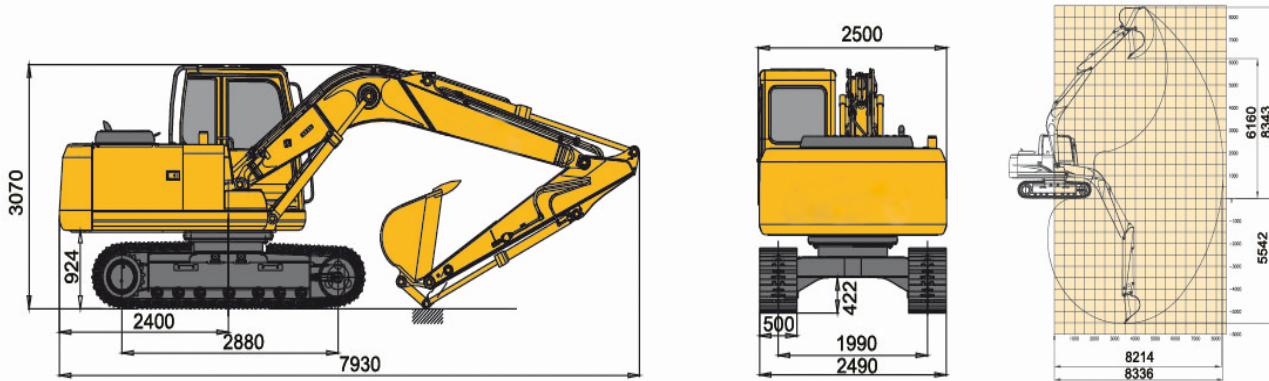
Phone: +46 107502388
E-mail: info@vvn.se
www.vvn.se

BELARUS

Phone: +375 849960925 1 5
E-mail: info@vvn.by
www.vvn.by

VVN HE 140 / VVN HE2 140

overall specifications



Operating Weight	Summary	Operating weight: 14000kg The operating weight includes the weight of 4600mm boom, 2500mm standard arm, 0.56m ³ bucket, 500mm track shoes, lubricating oil, coolant, the full diesel oil tank and the rest standard configuration units.	
	Ground pressure	45 kPa	
Bucket Capacity	Standard	0.56 m ³	
	Option range	0.25-0.75 m ³	
Engine	Model	Cummins 4BTAA3.9-C (Euro II)	Cummins QSB4.5 (Euro IIIA)
	Rated power	86 kW (117hp) /2200 rpm	90 kW (122hp) /2000 rpm
	Max. torque	424 N.m/1600 rpm	489 N.m/1500 rpm
	Displacement	3.9 L	4.5 L
	Main pump	Axial variable piston pump	
Hydraulic System	Max. flow of system	120×2 L/min	
	Max. pressure of Implements	34.3 MPa	
	Max. pilot pressure	3.9 MPa	
	Swing motor	Piston Type (with safety valve and closed type brake)	
	Swing speed	11.9 rpm	
	Travel motor	Piston Type (with safety valve and closed type brake)	
	Travel speed	3.34/5.5 km/h	
	Gradeability	35°(70%)	
	Max. traction	113 kN	
	Max. arm digging force	75 kN	
	Max. bucket digging force	116 kN	
Fluid Capacity	Fuel tank	270 L	
	Hydraulic oil tank	159 L	
Undercarriage	Standard track shoes width	500 mm	
	No. of track shoes	43 (each side)	
	No. of carrier rollers	2 (each side)	
	No. of track rollers	7 (each side)	
Electrical System	System voltage	24 V	
	Battery capacity	12 V, 120 Ah×2	
Optional Equipments		600mm and 700mm width triple grouser shoes Hydraulic hammer and pipeline Quick-change coupler pipeline Bidirectional auxiliary pipeline	Anti-explosion valve Track rubber block



ALL FOR SHOPS AND WAREHOUSES

LATVIA

SIA "Viss Veikaliem un Noliktavām"
41A - 224 Kan davas street, Rīga, LV-10 83
Phone: +371 27727449 (latvian, english),
+371 22074120 (l atvian, russian, english),
+371 20330002 (latvian, russian, english)
E-mail: info@vvn.lv

www.vvn.lv

LITHUANIA

Phone: +370 70066080
E-mail: info@vvn.lt
www.vvn.lt

NORWAY

Phone: +47 219558 68
E-mail: info@vvn.no
www.vvn.no

ESTONIA

Phone: +372 634633 2,
+372 63463 42
E-mail: info@vvn.ee
www.vvn.ee

DENMARK

E-mail: info@vvn.dk
www.vvn.dk

FINLAND

Phone: +358 7532633 23
E-mail: info@vvn.fi
www.vvn.fi

RUSSIA

Phone: +7 849960925 1 5
E-mail: info@vvn.ru
www.vvn.ru

SWEDEN

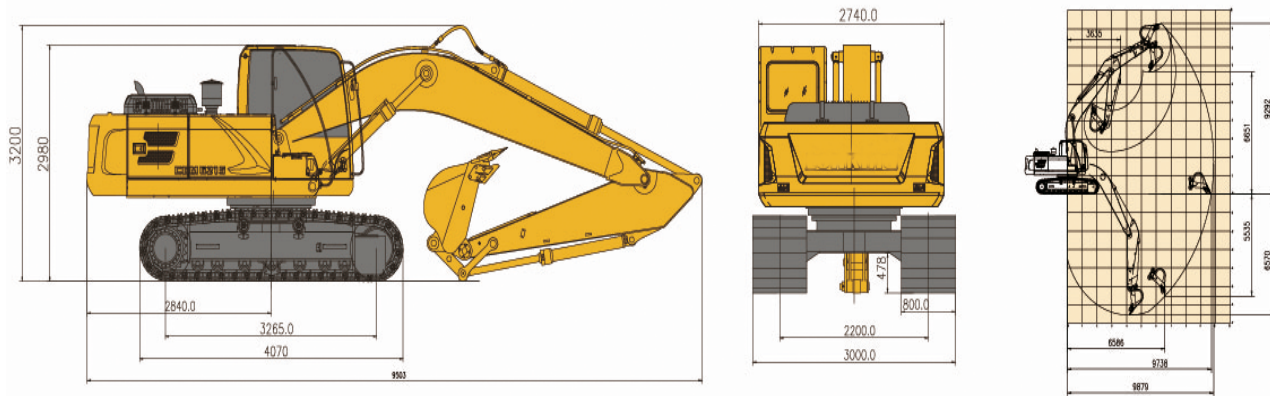
Phone: +46 107502388
E-mail: info@vvn.se
www.vvn.se

BELARUS

Phone: +375 849960925 1 5
E-mail: info@vvn.by
www.vvn.by

VVN HE 212

overall specifications



Operating Weight	Summary	Operating weight: 21200kg The operating weight includes the weight of 5675mm boom, 2920mm standard arm, 0.9m ³ bucket, 600mm track shoes, lubricating oil, coolant, the full diesel oil tank and the rest standard configuration units.
	Ground pressure	51 kPa
Bucket Capacity	Standard	0.9 m ³
	Option range	0.9 m ³
Engine	Model	Cummins 6BTAA5.9-C (Euro II)
	Rated power	112kW (150hp) /1950 rpm
	Max. torque	614 N.m/1500 rpm
	Displacement	5.9 L
Hydraulic System	Main pump	Axial variable piston pump
	Max. flow of system	208×2 L/min
	Max.pressure of Implements	31.3 MPa
	Max. pilot pressure	3.9 MPa
	Swing motor	Piston Type (with safety valve and closed type brake)
	Swing speed	12.1 rpm
	Travel motor	Piston Type (with safety valve and closed type brake)
	Travel speed	3.0/5.2 km/h
	Gradeability	35°(70%)
	Max. traction	224 kN
	Max. arm digging force	105 kN
	Max. bucket digging force	158 kN
Fluid Capacity	Fuel tank	380 L
	Hydraulic oil tank	280 L
Undercarriage	Standard track shoes width	600 mm
	No. of track shoes	45 (each side)
	No. of carrier rollers	2 (each side)
	No. of track rollers	7 (each side)
Electrical System	System voltage	24 V
	Battery capacity	12 V, 120 Ah×2
Optional Equipments		700mm and 800mm width triple grouser shoes Hydraulic hammer and pipeline Cab protecting nets



ALL FOR SHOPS AND WAREHOUSES

LATVIA

SIA "Viss Veikaliem un Noliktavām"
41A - 224 Kan davas street, Rīga, LV-10 83
Phone: +371 27727449 (latvian, english),
+371 22074120 (l atvian, russian, english),
+371 20330002 (latvian, russian, english)
E-mail: info@vvn.lv

www.vvn.lv

LITHUANIA

Phone: +370 70066080
E-mail: info@vvn.lt
www.vvn.lt

NORWAY

Phone: +47 219558 68
E-mail: info@vvn.no
www.vvn.no

ESTONIA

Phone: +372 634633 2,
+372 63463 42
E-mail: info@vvn.ee
www.vvn.ee

DENMARK

E-mail: info@vvn.dk
www.vvn.dk

FINLAND

Phone: +358 7532633 23
E-mail: info@vvn.fi
www.vvn.fi

RUSSIA

Phone: +7 849960925 1 5
E-mail: info@vvn.ru
www.vvn.ru

SWEDEN

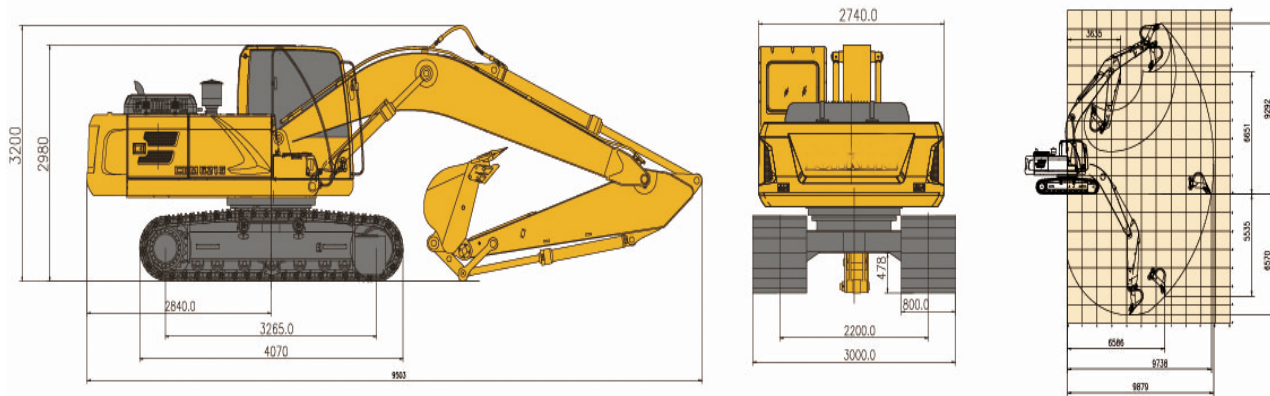
Phone: +46 107502388
E-mail: info@vvn.se
www.vvn.se

BELARUS

Phone: +375 849960925 1 5
E-mail: info@vvn.by
www.vvn.by

VVN HE 218

overall specifications



Operating Weight	Summary	Operating weight: 21200kg The operating weight includes the weight of 5675mm boom, 2920mm standard arm, 0.9m ³ bucket, 600mm track shoes, lubricating oil, coolant, the full diesel oil tank and the rest standard configuration units.
	Ground pressure	51 kPa
Bucket Capacity	Standard	0.9 m ³
	Option range	0.9 m ³
Engine	Model	Cummins 6BTAA5.9-C (Euro II)
	Rated power	112kW (150hp) /1950 rpm
	Max. torque	614 N.m/1500 rpm
	Displacement	5.9 L
Hydraulic System	Main pump	Axial variable piston pump
	Max. flow of system	208×2 L/min
	Max.pressure of Implements	31.3 MPa
	Max. pilot pressure	3.9 MPa
	Swing motor	Piston Type (with safety valve and closed type brake)
	Swing speed	12.1 rpm
	Travel motor	Piston Type (with safety valve and closed type brake)
	Travel speed	3.0/5.2 km/h
	Gradeability	35°(70%)
	Max. traction	224 kN
	Max. arm digging force	105 kN
Fluid Capacity	Fuel tank	380 L
	Hydraulic oil tank	280 L
Undercarriage	Standard track shoes width	600 mm
	No. of track shoes	45 (each side)
	No. of carrier rollers	2 (each side)
Electrical System	No. of track rollers	7 (each side)
	System voltage	24 V
	Battery capacity	12 V, 120 Ah×2
Optional Equipments		700mm and 800mm width triple grouser shoes Hydraulic hammer and pipeline Cab protecting nets



ALL FOR SHOPS AND WAREHOUSES

LATVIA

SIA "Viss Veikaliem un Noliktavām"
41A - 224 Kan davas street, Rīga, LV-10 83
Phone: +371 27727449 (latvian, english),
+371 22074120 (l atvian, russian, english),
+371 20330002 (latvian, russian, english)
E-mail: info@vvn.lv

www.vvn.lv

LITHUANIA

Phone: +370 70066080
E-mail: info@vvn.lt
www.vvn.lt

NORWAY

Phone: +47 219558 68
E-mail: info@vvn.no
www.vvn.no

ESTONIA

Phone: +372 634633 2,
+372 63463 42
E-mail: info@vvn.ee
www.vvn.ee

DENMARK

E-mail: info@vvn.dk
www.vvn.dk

FINLAND

Phone: +358 7532633 23
E-mail: info@vvn.fi
www.vvn.fi

RUSSIA

Phone: +7 849960925 1 5
E-mail: info@vvn.ru
www.vvn.ru

SWEDEN

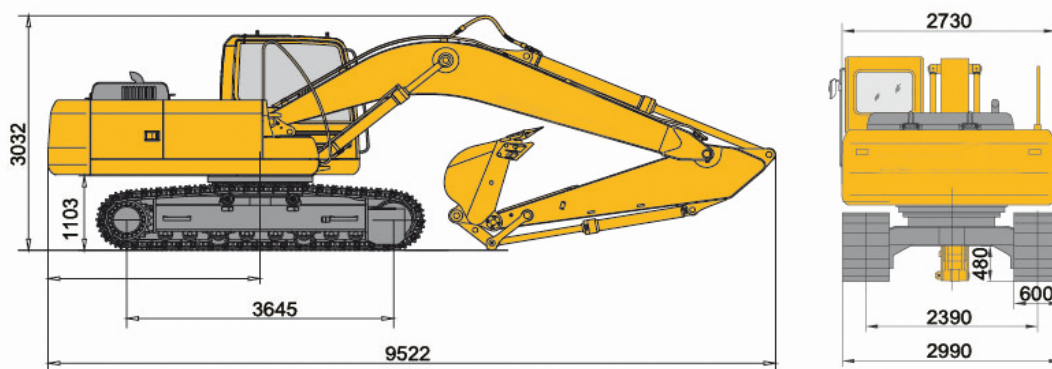
Phone: +46 107502388
E-mail: info@vvn.se
www.vvn.se

BELARUS

Phone: +375 849960925 1 5
E-mail: info@vvn.by
www.vvn.by

VVN HE 220

overall specifications



Operating Weight	Summary	Operating weight: 22000kg The operating weight includes the weight of 5700mm boom, 2900mm standard arm, 1.16m ³ bucket, 600mm track shoes, lubricating oil, coolant, the full diesel oil tank and the rest standard configuration units.	
	Ground pressure	45 kPa	
Bucket Capacity	Standard	1.16 m ³	
	Option range	1.1-1.35 m ³	
Engine	Model	Cummins QSB6.7 (Euro IIIA)	
	Rated power	145 kW/2000 rpm	
	Max. torque	929 N.m/1500 rpm	
	Displacement	6.7 L	
Hydraulic System	Main pump	Axial variable piston pump	
	Max. flow of system	217×2 L/min	
	Max. pressure of Implements	34.3 MPa	
	Max. pilot pressure	4.9 MPa	
	Swing motor	Piston Type (with safety valve and closed type brake)	
	Swing speed	12.1 rpm	
	Travel motor	Piston Type (with safety valve and closed type brake)	
	Travel speed	3.0/5.1 km/h	
	Gradeability	35°(70%)	
	Max. traction	222 kN	
	Max. arm digging force	107 kN	
Max. bucket digging force	147 kN		
Fluid Capacity	Fuel tank	350 L	
	Hydraulic oil tank	220 L	
Undercarriage	Standard track shoes width	600 mm	
	No. of track shoes	49 (each side)	
	No. of carrier rollers	2 (each side)	
	No. of track rollers	9 (each side)	
Electrical System	System voltage	24 V	
	Battery capacity	12 V, 120 Ah×2	
Optional Equipments		700mm and 800mm width triple grouser shoes Hydraulic hammer and pipeline Quick-change coupler pipeline Bidirectional auxiliary pipeline	Anti-explosion valve Cab protecting nets



ALL FOR SHOPS AND WAREHOUSES

LATVIA

SIA "Viss Veikaliem un Noliktavām"
41A - 224 Kan davas street, Rīga, LV-10 83
Phone: +371 27727449 (latvian, english),
+371 22074120 (l atvian, russian, english),
+371 20330002 (latvian, russian, english)
E-mail: info@vvn.lv

www.vvn.lv

LITHUANIA

Phone: +370 70066080
E-mail: info@vvn.lt
www.vvn.lt

NORWAY

Phone: +47 219558 68
E-mail: info@vvn.no
www.vvn.no

ESTONIA

Phone: +372 634633 2,
+372 63463 42
E-mail: info@vvn.ee
www.vvn.ee

DENMARK

E-mail: info@vvn.dk
www.vvn.dk

FINLAND

Phone: +358 7532633 23
E-mail: info@vvn.fi
www.vvn.fi

RUSSIA

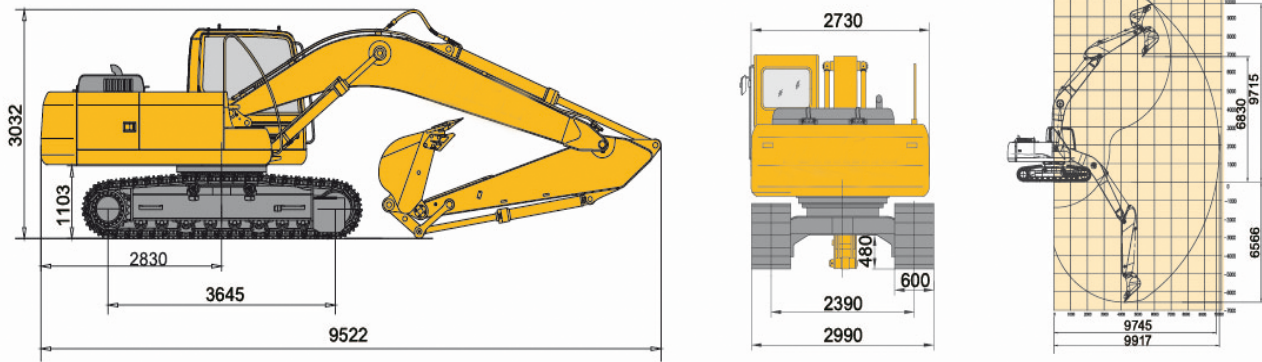
Phone: +7 849960925 1 5
E-mail: info@vvn.ru
www.vvn.ru

SWEDEN

Phone: +46 107502388
E-mail: info@vvn.se
www.vvn.se

BELARUS

Phone: +375 849960925 1 5
E-mail: info@vvn.by
www.vvn.by



Operating Weight	Summary	Operating weight: 22600kg The operating weight includes the weight of 5700mm boom, 2900mm standard arm, 1.16m ³ bucket, 600mm track shoes, lubricating oil, coolant, the full tank and the rest standard configuration units.	
	Ground pressure	45 kPa	
Bucket Capacity	Standard	1.16 m ³	
	Option range	1.1-1.35 m ³	
Engine	Model	Cummins 6BTAA5.9-C (Euro II)	
	Rated power	133kW (178hp) /2000 rpm	
	Max. torque	708 N.m/1500 rpm	
	Displacement	5.9 L	
Hydraulic System	Main pump	Axial variable piston pump	
	Max. flow of system	217×2 L/min	
	Max. pressure of Implements	34.3 MPa	
	Max. pilot pressure	4.9 MPa	
	Swing motor	Piston Type (with safety valve and closed type brake)	
	Swing speed	12.1 rpm	
	Travel motor	Piston Type (with safety valve and closed type brake)	
	Travel speed	3.0/5.1 km/h	
	Gradeability	35°(70%)	
	Max. traction	222 kN	
	Max. arm digging force	107 kN	
	Max. bucket digging force	147 kN	
Fluid Capacity	Fuel tank	350 L	
	Hydraulic oil tank	220 L	
Undercarriage	Standard track shoes width	600 mm	
	No. of track shoes	49 (each side)	
	No. of carrier rollers	2 (each side)	
	No. of track rollers	9 (each side)	
Electrical System	System voltage	24 V	
	Battery capacity	12 V, 120 Ah×2	
Optional Equipments		Working warning lamp and travel warning device 700mm and 800mm width triple grouser shoes Hydraulic hammer and pipeline Quick-change coupler pipeline	Bidirectional auxiliary pipeline Anti-explosion valve Cab protecting nets



ALL FOR SHOPS AND WAREHOUSES

LATVIA

SIA "Viss Veikaliem un Noliktavām"
41A - 224 Kan davas street, Rīga, LV-10 83
Phone: +371 27727449 (latvian, english),
+371 22074120 (l atvian, russian, english),
+371 20330002 (latvian, russian, english)
E-mail: info@vvn.lv

www.vvn.lv

LITHUANIA

Phone: +370 70066080
E-mail: info@vvn.lt
www.vvn.lt

NORWAY

Phone: +47 219558 68
E-mail: info@vvn.no
www.vvn.no

ESTONIA

Phone: +372 634633 2,
+372 63463 42
E-mail: info@vvn.ee
www.vvn.ee

DENMARK

E-mail: info@vvn.dk
www.vvn.dk

FINLAND

Phone: +358 7532633 23
E-mail: info@vvn.fi
www.vvn.fi

RUSSIA

Phone: +7 849960925 1 5
E-mail: info@vvn.ru
www.vvn.ru

SWEDEN

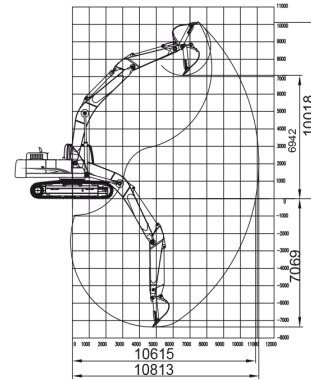
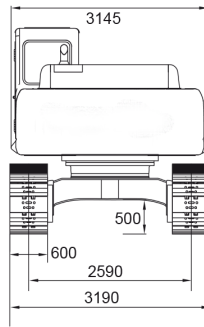
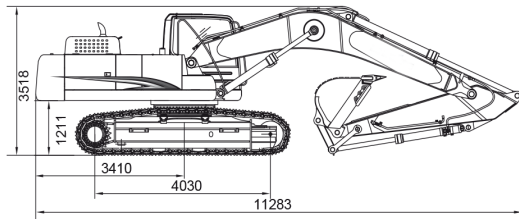
Phone: +46 107502388
E-mail: info@vvn.se
www.vvn.se

BELARUS

Phone: +375 849960925 1 5
E-mail: info@vvn.by
www.vvn.by

VVN HE 340

overall specifications



Specifications	
Operating Weight(kg)	34000
Engine Power(kW/rpm)	197/1950
Standard Bucket Capacity(m ³)	1.6
Standard Bucket Width (with side cutters)(mm)	1460
Performance	
Travel Speed(Low/High) (km/h)	3.25/5.43
Swing Speed (rpm)	9.5
Ground Pressure (kPa)	68
Gradeability(°)	35
Maximum Arm Crowd Force(kN)	155.13/168.6
Maximum Bucket Digging Force(kN)	181.1/197
Equipments	
Engine Model	Cummins C8.3 -C
Displacement(L)	8.3
Swing Device Driving Type	Hydraulic Drive
Travel Device Driving Type	Hydraulic Drive
Brake Type	Hydraulic Lock
Standard Track Shoe Type	Triple Grouser shoes
Track Adjustment Device	Grease Tension
Hydraulic Pump Type	Variable Piston Pump
Maximum Setting Pressure	Traveling (MPa) 34.3
	Working (MPa) 34.3
Implement	
Boom Length (mm)	6470
Arm Length (mm)	2900
Bucket Radius(mm)	R1670
Refill Capacity	
Fuel (diesel)(L)	580
Hydraulic oil (Refilling)(L)	220/300
Battery Capacity	2×120AH



ALL FOR SHOPS AND WAREHOUSES

LATVIA

SIA "Viss Veikaliem un Noliktavām"
41A - 224 Kan davas street, Rīga, LV-10 83
Phone: +371 27727449 (latvian, english),
+371 22074120 (l atvian, russian, english),
+371 20330002 (latvian, russian, english)
E-mail: info@vvn.lv

www.vvn.lv

LITHUANIA

Phone: +370 70066080
E-mail: info@vvn.lt
www.vvn.lt

NORWAY

Phone: +47 219558 68
E-mail: info@vvn.no
www.vvn.no

ESTONIA

Phone: +372 634633 2,
+372 63463 42
E-mail: info@vvn.ee
www.vvn.ee

DENMARK

E-mail: info@vvn.dk
www.vvn.dk

FINLAND

Phone: +358 7532633 23
E-mail: info@vvn.fi
www.vvn.fi

RUSSIA

Phone: +7 849960925 1 5
E-mail: info@vvn.ru
www.vvn.ru

SWEDEN

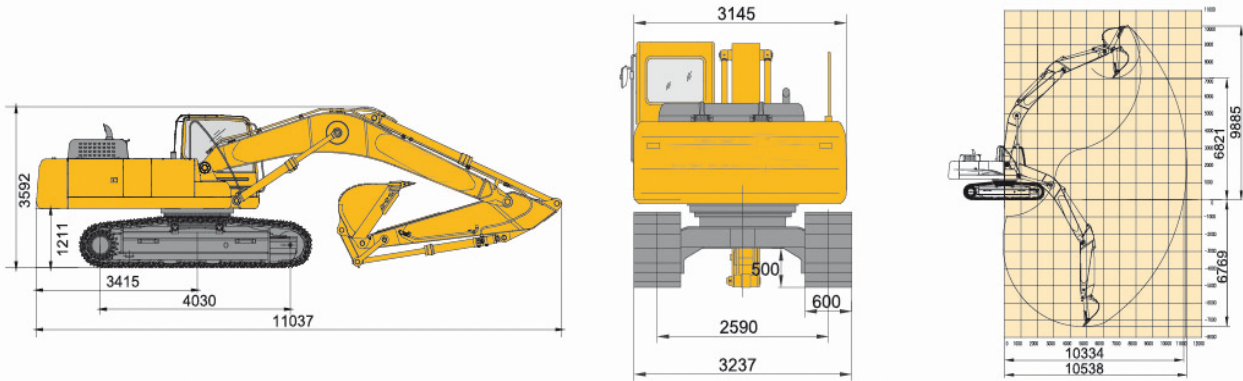
Phone: +46 107502388
E-mail: info@vvn.se
www.vvn.se

BELARUS

Phone: +375 849960925 1 5
E-mail: info@vvn.by
www.vvn.by

VVN HE 343

overall specifications



Operating Weight	Summary	Operating weight: 34300kg The operating weight includes the weight of 6470mm boom, 2900mm standard arm, 1.6m ³ bucket, 600mm track shoes, lubricating oil, coolant, the full tank and the rest standard configuration units.	
	Ground pressure	68 kPa	
Bucket Capacity	Standard	1.6 m ³ (Heavy duty)	
	Option range	1.6-2.2 m ³	
Engine	Model	Perkins 1206F-E70TTA (Euro IV)	
	Rated power	205 kW (290 hp) /1950 rpm	
	Max. torque	1219 N.m/1300 rpm	
	Displacement	7.1 L	
Hydraulic System	Main pump	Axial variable piston pump	
	Max. flow of system	340×2 L/min	
	Max. pressure of Implements	34.3 MPa	
	Max. pilot pressure	3.9 MPa	
	Swing motor	Piston Type (with safety valve and closed type brake)	
	Swing speed	9.5 rpm	
	Travel motor	Piston Type (with safety valve and closed type brake)	
	Travel speed	3.25/5.43 km/h	
	Gradeability	35° (70%)	
	Max. traction	298 kN	
	Max. arm digging force	178 kN	
Max. bucket digging force	211 kN		
Fluid Capacity	Fuel tank	580 L	
	Hydraulic oil tank	390 L	
Undercarriage	Standard track shoes width	600 mm	
	No. of track shoes	48 (each side)	
	No. of carrier rollers	2 (each side)	
Electrical System	No. of track rollers	8 (each side)	
	System voltage	24 V	
Optional Equipments	Battery capacity	12 V, 120 Ah×2	
		700mm and 800mm width triple grouser shoes 5850mm boom 3200mm arm and 2600mm arm Hydraulic hammer and pipeline Quick-change coupler pipeline	Bidirectional auxiliary pipeline Anti-explosion valve Cab protecting nets



ALL FOR SHOPS AND WAREHOUSES

LATVIA

SIA "Viss Veikaliem un Noliktavām"
41A - 224 Kan davas street, Rīga, LV-10 83
Phone: +371 27727449 (latvian, english),
+371 22074120 (l atvian, russian, english),
+371 20330002 (latvian, russian, english)
E-mail: info@vvn.lv

www.vvn.lv

LITHUANIA

Phone: +370 70066080
E-mail: info@vvn.lt
www.vvn.lt

NORWAY

Phone: +47 219558 68
E-mail: info@vvn.no
www.vvn.no

ESTONIA

Phone: +372 634633 2,
+372 63463 42
E-mail: info@vvn.ee
www.vvn.ee

DENMARK

E-mail: info@vvn.dk
www.vvn.dk

FINLAND

Phone: +358 7532633 23
E-mail: info@vvn.fi
www.vvn.fi

RUSSIA

Phone: +7 849960925 1 5
E-mail: info@vvn.ru
www.vvn.ru

SWEDEN

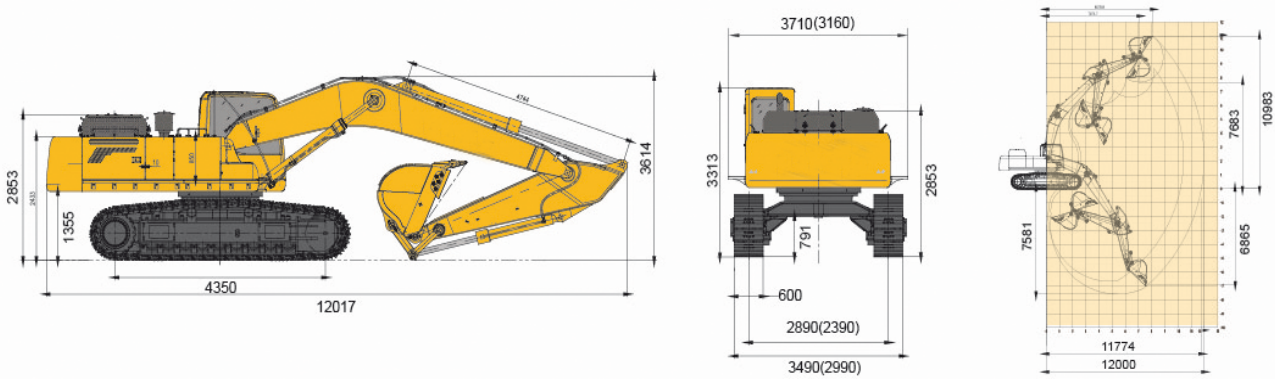
Phone: +46 107502388
E-mail: info@vvn.se
www.vvn.se

BELARUS

Phone: +375 849960925 1 5
E-mail: info@vvn.by
www.vvn.by

VVN HE 482

overall specifications



Operating Weight	Summary	Operating weight: 48200kg The operating weight includes the weight of 7060mm boom, 3380mm standard arm, 2.2m ³ bucket, 600mm track shoes, lubricating oil, coolant, the full tank and the rest standard configuration units.
	Ground pressure	83 kPa
Bucket Capacity	Standard	2.2 m ³ (Heavy duty)
	Option range	2.2-2.5 m ³
Engine	Model	Cummins QSM11 (Euro IIIA)
	Rated power	269 kW (360 hp) /1850 rpm
	Max. torque	1708 N.m/1400 rpm
	Displacement	11.04 L
Hydraulic System	Main pump	Axial variable piston pump
	Max. flow of system	360×2 L/min
	Max. pressure of Implements	37.2 MPa
	Max. pilot pressure	3.9 MPa
	Swing motor	Piston Type (with safety valve and closed type brake)
	Swing speed	9.1 rpm
	Travel motor	Piston Type (with safety valve and closed type brake)
	Travel speed	3.3/5.32 km/h
	Gradeability	35°(70%)
	Max. traction	382 kN
	Max. arm digging force	233 kN
	Max. bucket digging force	262 kN
	Fluid Capacity	Fuel tank
Hydraulic oil tank		480 L
Undercarriage	Standard track shoes width	600 mm
	No. of track shoes	50 (each side)
	No. of carrier rollers	2 (each side)
	No. of track rollers	9 (each side)
Electrical System	System voltage	24 V
	Battery capacity	12 V, 120 Ah×2
Optional Equipments		700mm and 800mm triple grouser shoes 6300mm boom and 2900mm arm Hydraulic hammer and pipeline Cab protecting nets



ALL FOR SHOPS AND WAREHOUSES

LATVIA

SIA "Viss Veikaliem un Noliktavam"
41A - 224 Kan davas street, Riga, LV-10 83
Phone: +371 27727449 (latvian, english),
+371 22074120 (l atvian, russian, english),
+371 20330002 (latvian, russian, english)
E-mail: info@vvn.lv

www.vvn.lv

LITHUANIA

Phone: +370 70066080
E-mail: info@vvn.lt
www.vvn.lt

NORWAY

Phone: +47 219558 68
E-mail: info@vngroup.no
www.vngroup.no

ESTONIA

Phone: +372 634633 2,
+372 63463 42
E-mail: info@vvn.ee
www.vvn.ee

DENMARK

E-mail: info@vngroup.dk
www.vngroup.dk

FINLAND

Phone: +358 7532633 23
E-mail: info@vvn.fi
www.vvn.fi

RUSSIA

Phone: +7 849960925 1 5
E-mail: info@vngroup.ru
www.vngroup.ru

SWEDEN

Phone: +46 107502388
E-mail: info@vngroup.se
www.vngroup.se

BELARUS

Phone: +375 849960925 1 5
E-mail: info@vngroup.by
www.vngroup.by